

- (54) **HAND-HELD CABLE CUTTER**
- (76) Inventors: **William F. Guiette, III**, 28739
Lebanon Rd., Pine Valley, CA (US)
91962; **Charles W. Arnold**, 10603
Burrell Way, Descanso, CA (US) 91916
- (**) Term: **14 Years**
- (21) Appl. No.: **29/179,861**
- (22) Filed: **Apr. 15, 2003**
- (51) **LOC (7) Cl.** **08-03**
- (52) **U.S. Cl.** **D8/51; D8/98**
- (58) **Field of Search** **D8/98, 51, 52;**
30/90.1, 90.3, 90.8, 90.9, 92, 91.1, 91.2,
228

4,349,141 A	9/1982	Ollivier et al.	
4,587,733 A	5/1986	Staempfli	
5,203,083 A *	4/1993	Domonoske	30/92
5,722,170 A	3/1998	Smith	30/228
D404,627 S	1/1999	Hirabayashi	D8/68
5,924,201 A *	7/1999	Wang	30/92
D437,765 S *	2/2001	Tarpill	D8/98
D437,766 S *	2/2001	Tarpill	D8/98
6,349,474 B1	2/2002	Jordan	30/228
D481,280 S *	10/2003	Guiette et al.	D8/68

* cited by examiner
Primary Examiner—Philip S. Hyder
(74) Attorney, Agent, or Firm—Calif Tervo

(57) **CLAIM**

The ornamental design for a hand-held cable cutter, as shown and described.

(56) **References Cited**
U.S. PATENT DOCUMENTS

2,140,214 A	12/1938	Temple
2,716,813 A	9/1955	Smyres
2,766,525 A	10/1956	Hoffman
3,003,235 A	10/1961	Temple et al.
3,353,445 A	11/1967	Temple et al.
3,474,533 A	10/1969	Peck
3,643,329 A	2/1972	Lieberman
3,763,738 A	10/1973	Temple
4,026,028 A	5/1977	Green

DESCRIPTION

FIG. 1 is a top, rear, left side perspective view of a hand-held cable cutter showing our new design;
 FIG. 2 is a front elevation view thereof;
 FIG. 3 is a rear elevation view thereof;
 FIG. 4 is a right side elevation view thereof, the left side being a mirror image.
 FIG. 5 is a top plan view thereof; and,
 FIG. 6 is a bottom plan view thereof.

1 Claim, 2 Drawing Sheets

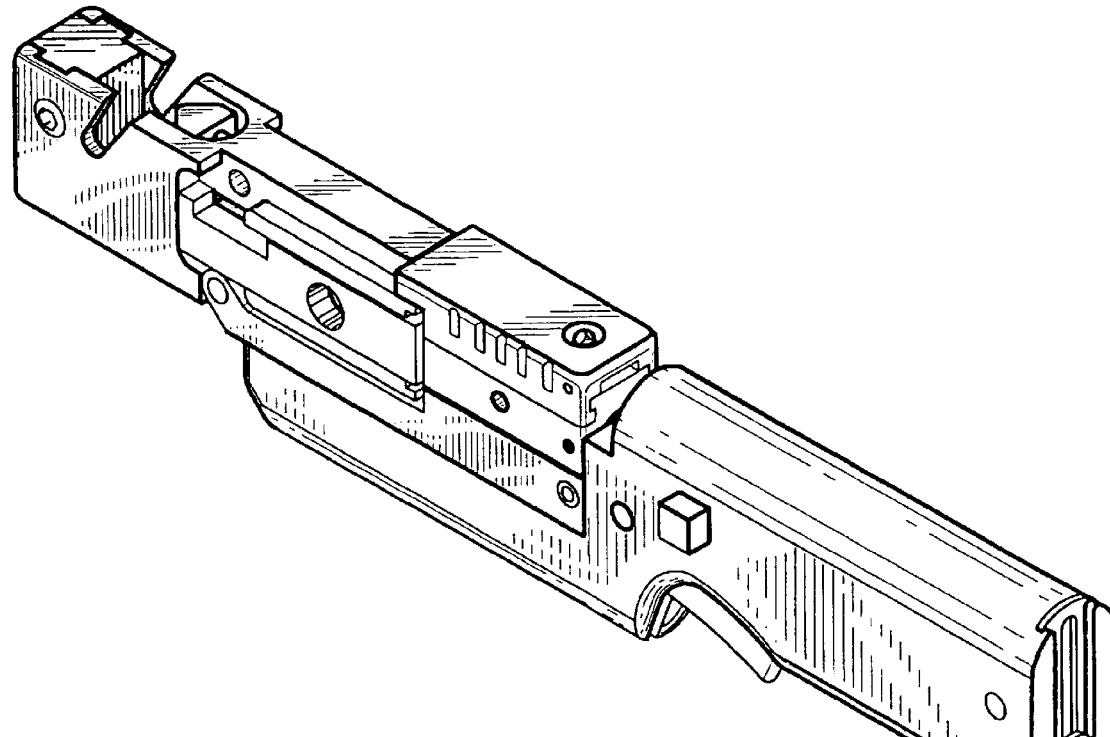


FIG. 1

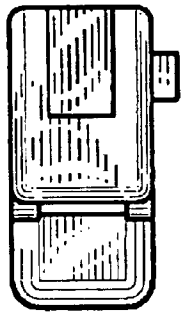
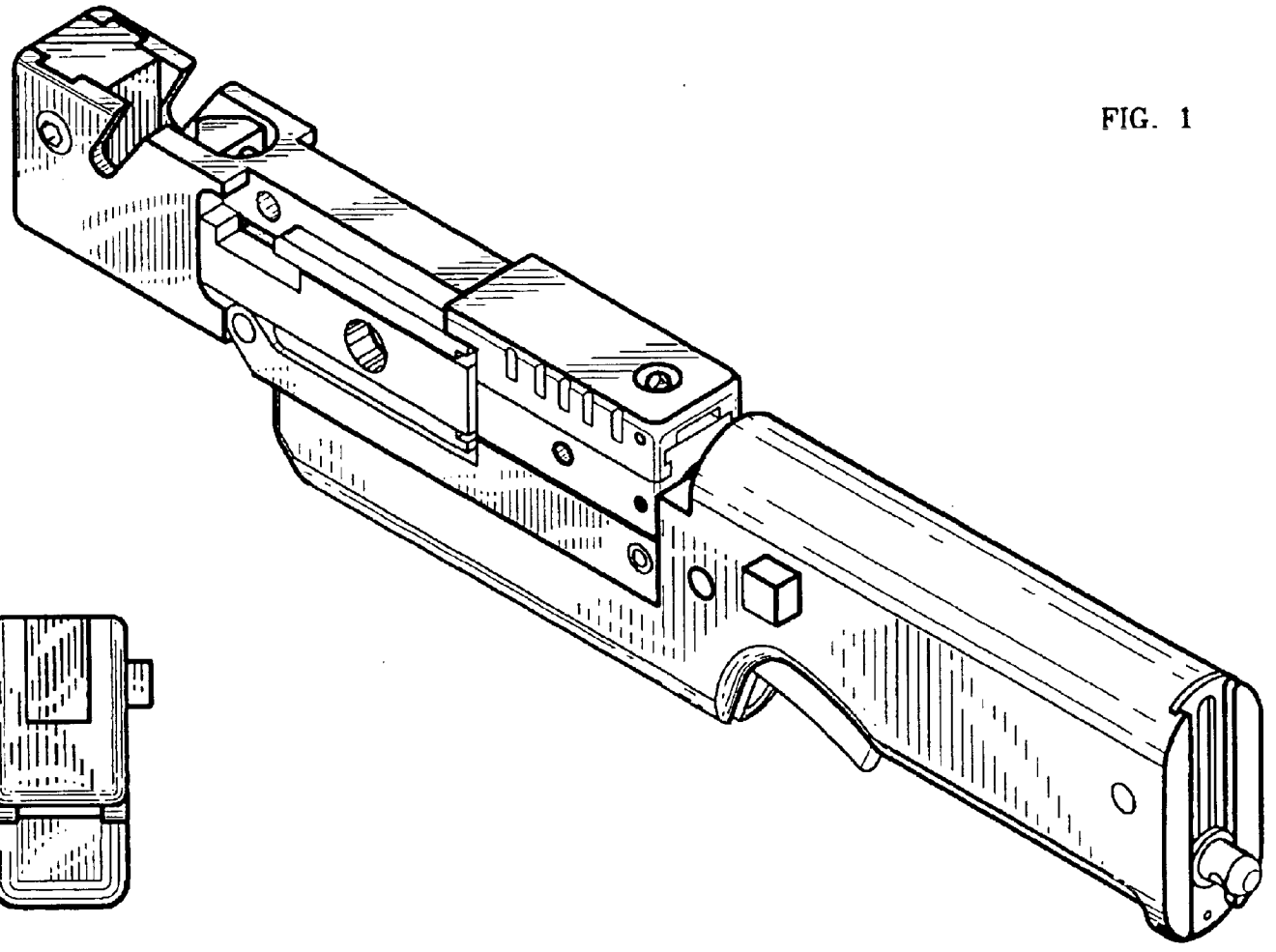


FIG. 2

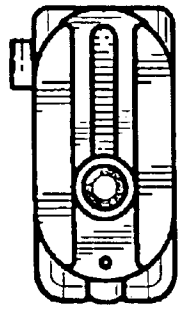


FIG. 3

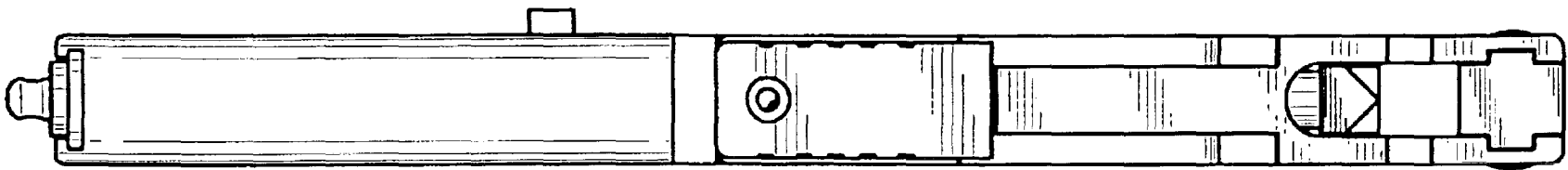


FIG. 5

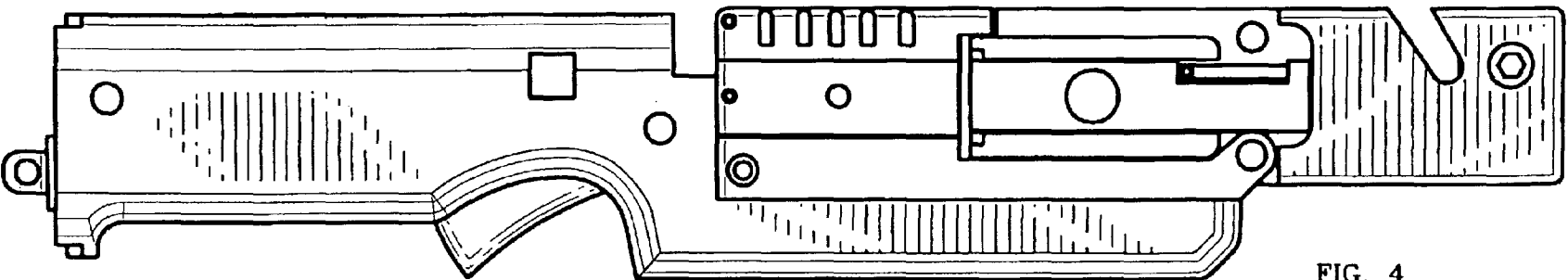


FIG. 4

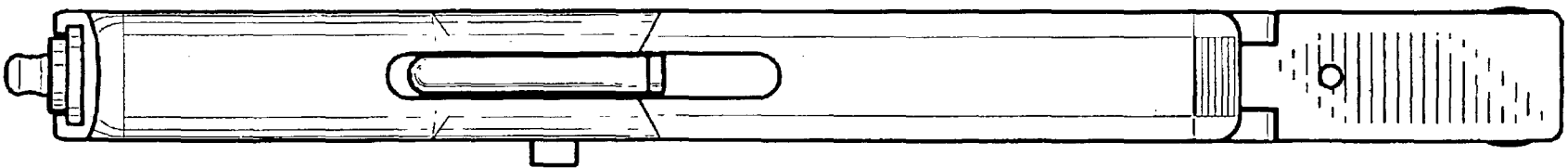


FIG. 6